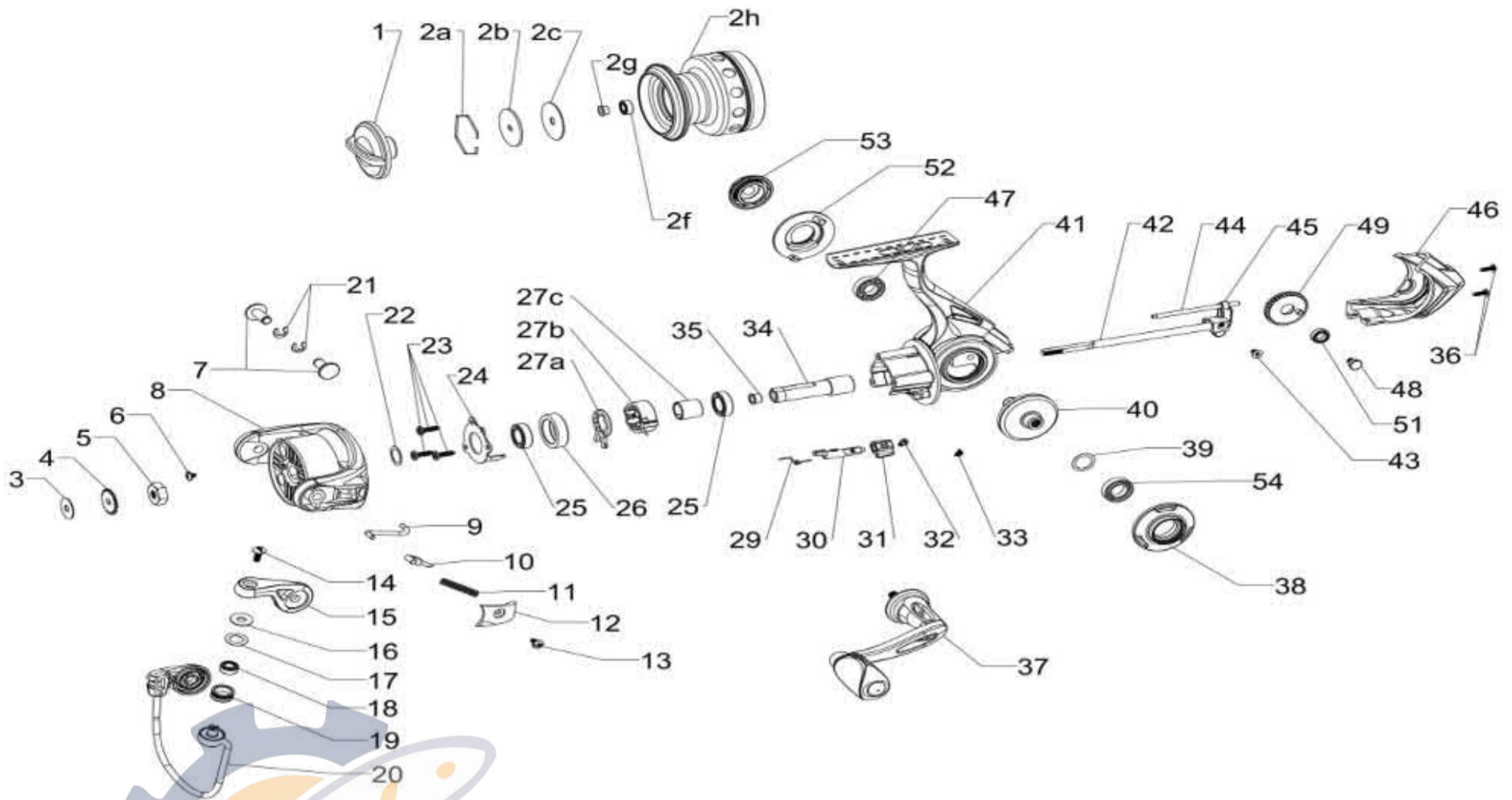


QUANTUM

DR05



Quantum DR05 Part List

Key No.	Description	Part No.	Qty	Key No.	Description	Part No.	Qty
		DR05				DR05	
1	Drag Knob Assembly	YAE332-01	1	26	Clutch Bearing Adapter	YAE190-01	1
2	Spool Assembly	YAE321-01	1	27	One way clutch kit include	YAE178-02	1
2a	Retainer Ring	YAE038-01	1	27a	One Way Clutch lever	N/A	N/A
2b	Drag Washer "D"	BP080-01	2	27b	One Way Clutch	N/A	N/A
2c	Drag Washer "B"	BP035-01	3	27c	Sleeve	BP178-05	1
2f	Spool Ball Bearing 5*8*2.5	CT157-01	2	29	Stopper Cam spring	YAE089-01	1
2g	Spool Bushing	BP161-01	1	30	Stopper Cam	YAE090-01	1
2h	Spool	YAE021-01	1	31	Stopper Lever	BAA059-01	1
3	Spool Adjust Washer	BP039-02	1	32	Stopper Lever Screw	BAA135-01	4
4	Clicker Gear	BP037-01	1	33	Clutch spring	TAD216-01	1
5	Rotor Nut	BP006-01	1	34	Pinion Gear	YAE011-01	1
6	Rotor Nut Lock Screw	BAA094-01	1	35	Pinion Bushing	N/A	N/A
7	Arm Lever Screw 2.6*6.5*6	YAE042-01	2	36	Rear Cap Screw	BAA135-01	2
8	Rotor	YAE009-01	1	37	Handle Assembly	YAE318-01	1
9	Kick Lever	YAE019-01	1	38	Body Side Ring	YAE142-01	1
10	Bail Actuator	YAE031-01	1	39	Drive Gear Adjust Washer	AAA105-01	1
11	Bail Spring	YAE022-01	1	40	Drive Gear Assembly	YAE012-01	1
12	Arm Lever Cover	YAE087-01	1	41	Body	YAE001-01	1
13	Arm Lever Cover Screw	TAD077-01	1	42	Main Shaft	YAE015-01	1
14	Line Roller Screw	BAA108-01	1	43	Main Shaft Screw	BAA100-01	1
15	Arm Lever	YAE007-01	1	44	O/S Guide Pin	YAE093-01	1
16	Line Roller Collar	YAE102-01	1	45	O/S Slider	YAE025-01	1
17	Line Roller Washer	YAE103-01	1	46	Body Rear Cap	YAE140-01	1
18	Line Roller Ball Bearing 4*7*2	YAE158-01	1	47	Body Ball Bearing 7*14*3.5	AAA028-01	1
19	Line Roller	YAE004-01	1	48	O/S Gear Pin	YAE062-01	1
20	Bailwire Assembly	YAE347-01	1	49	O/S Gear	YAE053-01	1
21	"E" clip	N/A	N/A	51	O/S Gear Bearing	YAE158-01	1
22	Rotor Adjust Washer	YAE105-01	1	52	Body Trim Ring	YAE145-01	2
23	Bearing Retainer Screw	AAA057-01	3	53	Handle Cap	YAE054-01	1
24	Bearing Retainer	YAE040-01	1	54	Pinion Ball Bearing 7*14*3.5	AAA028-01	1
25	Pinion Ball Bearing 6*12*3	YAE017-02	2				